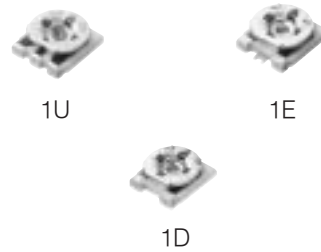


4 mm Square SMT Trimmer Potentiometers (Cermet, Open Frame Type)

Type: **EVM1D**
EVM1E
EVM1U



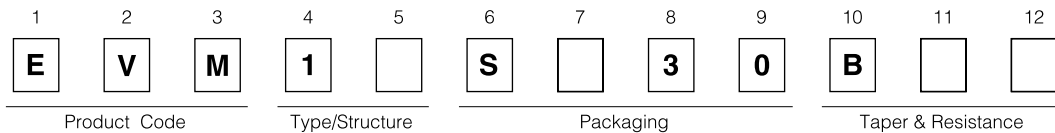
■ Features

- 4 mm square series for reflow soldering
- Both sides adjust type (EVM1U)
- High reliability realized by cermet element
- Excellent mountability by the plate shape fittable for each placing-head
- Conforming to JIS C5260-1:1999

■ Recommended Applications

- Audio Visual equipment, Office Automation equipment, Communication equipment
- Other general electronic equipments

■ Explanation of Part Numbers



*For the details of Part Number, refer to page EV5.

■ Major Specifications

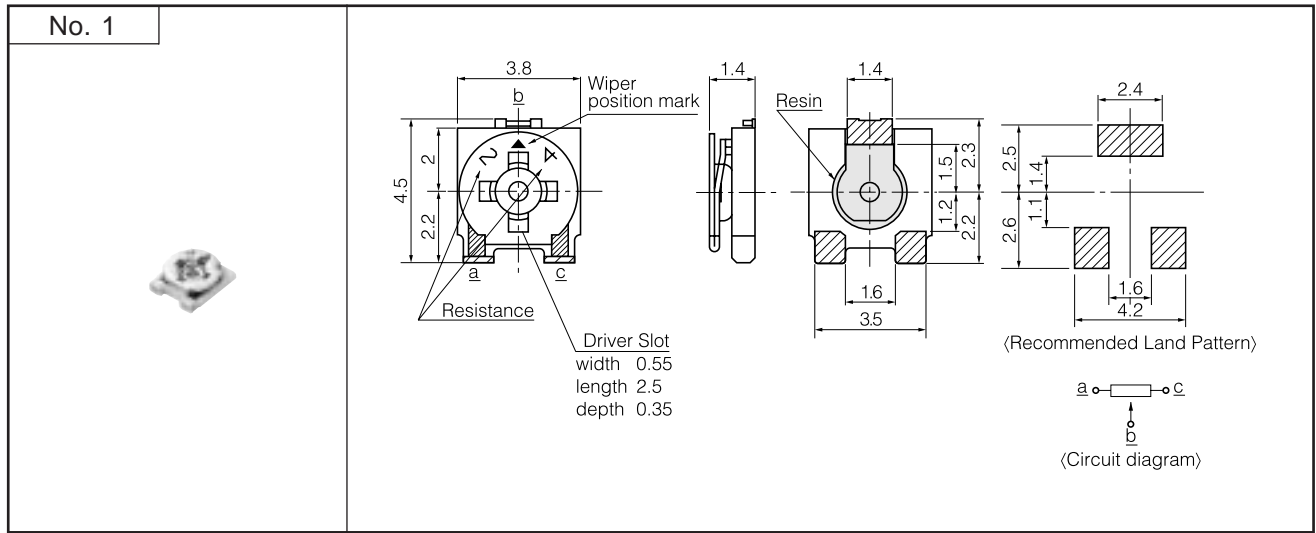
Total Resistance Value	100 Ω to 1 MΩ
Resistance Tolerance	±25 %
Power Rating	0.2 W
Maximum Operating Voltage	50 V
Rotation Torque	2 to 20 mN·m
Temperature Coefficient of Resistance	±250 × 10 ⁻⁶ /°C

■ Minimum Quantity/Packing Unit

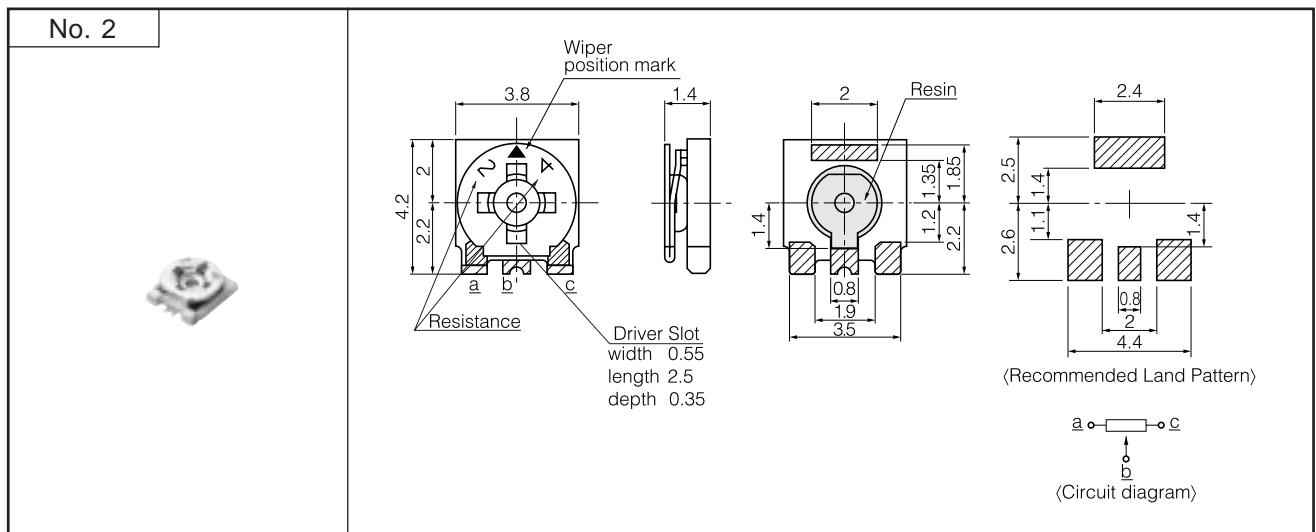
Part Number	Taping		
	Quantity per reel	Packaging quantity	Dia. of reel (mm)
EVM1D EVM1E EVM1U	1000	4000	φ178

■ Dimensions in mm (not to scale)

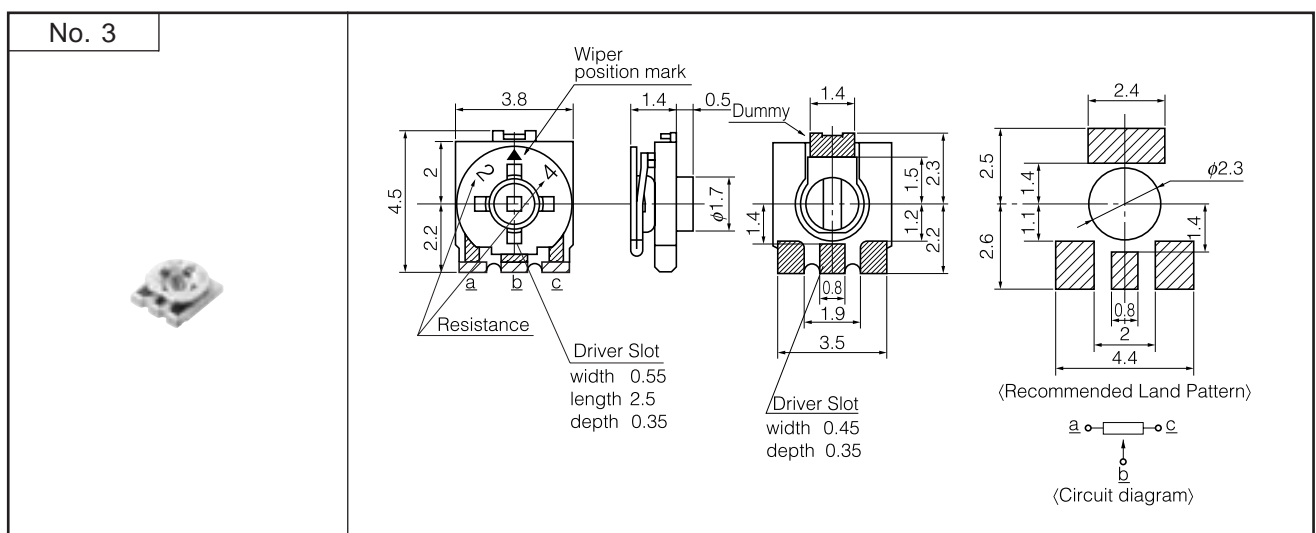
● 3-terminal, Cross Slot EVM1D



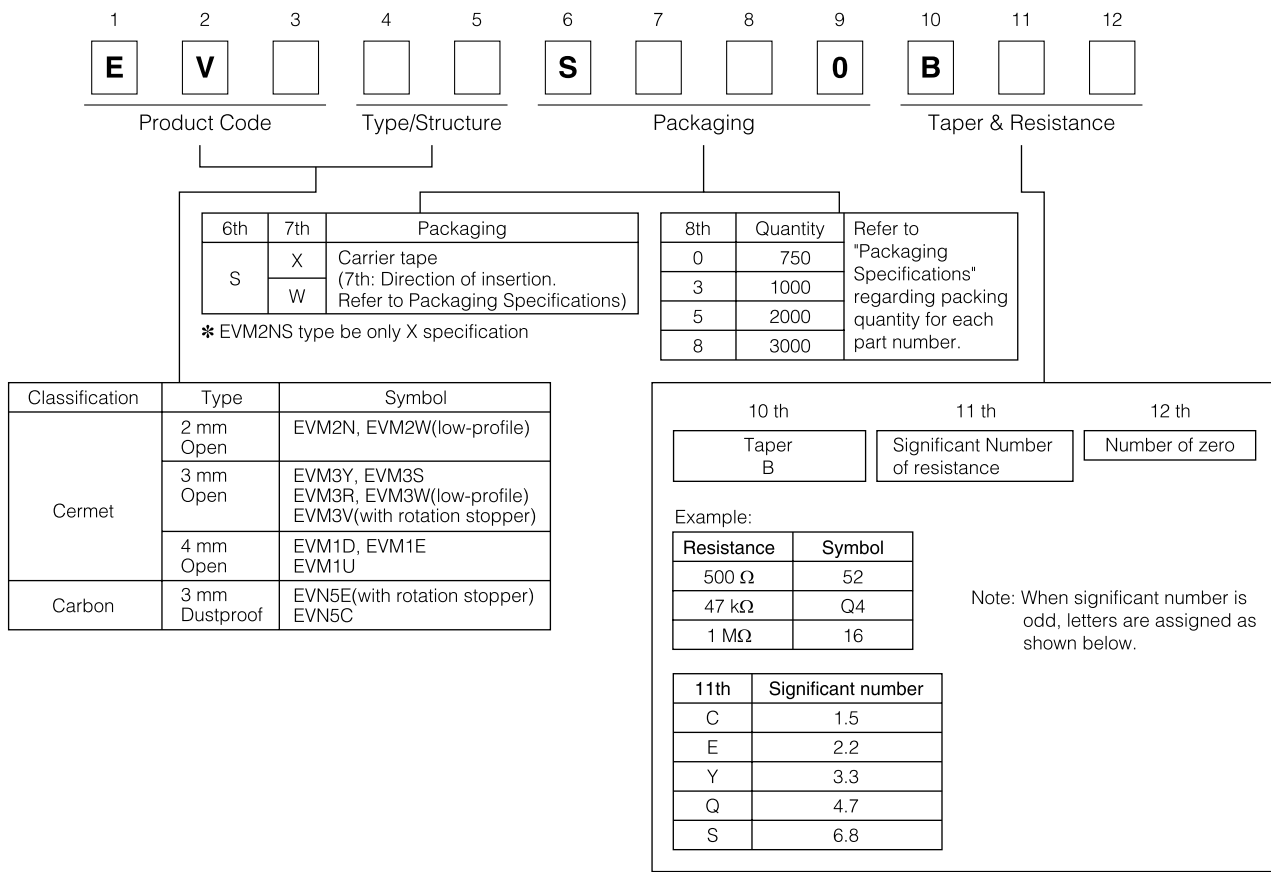
● 3-terminal, Cross Slot EVM1E



● 3-terminal, Cross Slot, Both Sides Adjust EVM1U



■ Explanation of Part Numbers



About packing specification

Packing specification make the reel of $\phi 178$ the standards.

Please consult with us, in the case that you request other packing structures.

(Bulk, Reel of $\phi 330$, Reel of $\phi 380$)