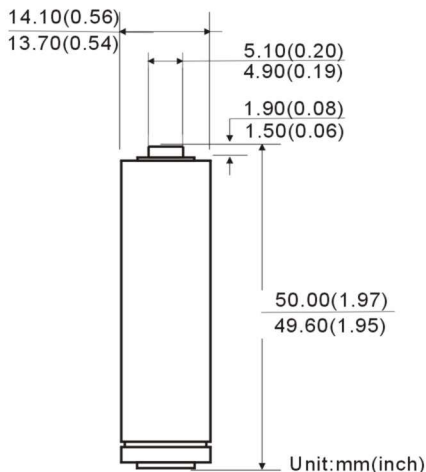
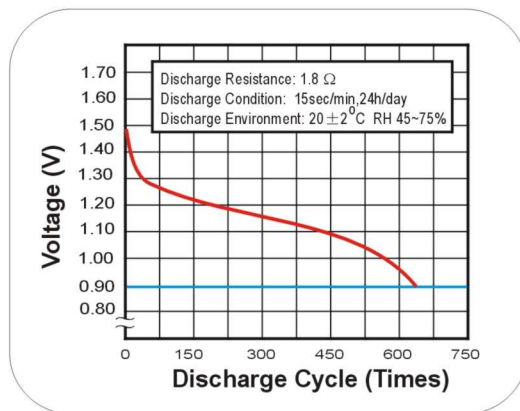
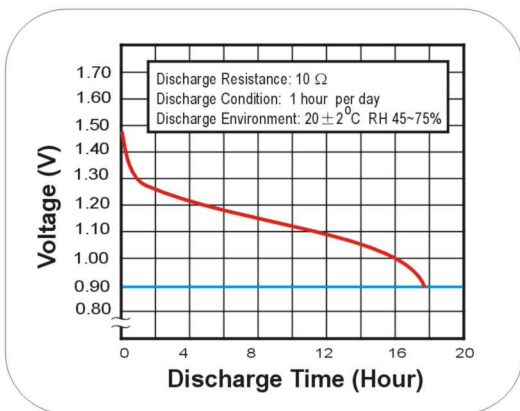
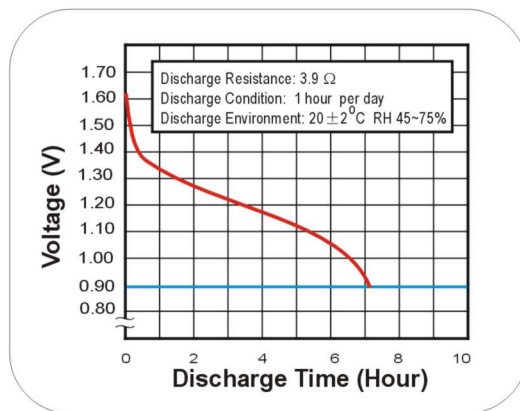
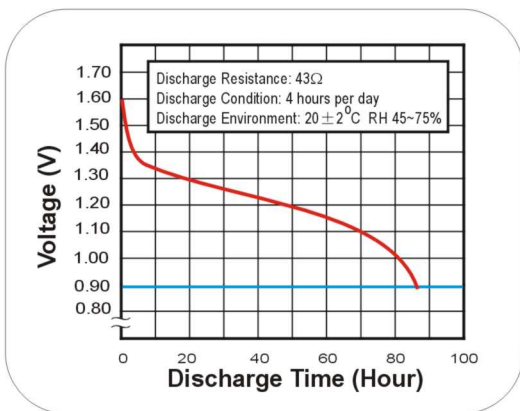


# ULTRA ALKALINE BATTERY

# LR6



**Chemical System :** Alkaline  
 Zinc-Manganese Dioxide (Zn/MnO<sub>2</sub>)  
**Camelion Model :** LR6  
**IEC No. :** LR6  
**ANSI/NEDA No. :** 15A (AA)  
**Average Weight :** 24.0g  
**Dimension (∅ x H) :** 14.1<sup>±0.2</sup> x 49.8<sup>±0.3</sup>mm  
 0.56<sup>±0.01</sup> x 1.96<sup>±0.01</sup>inch  
**Terminals :** Flat  
**Nominal Voltage :** 1.5Volts  
**Average Capacity :** 2850 mAh to 0.8 volts  
 (20±2°C, Rated capacity at 25 mA continuous drain)  
**Jacket :** Aluminum Foil Label



**Notice:**  
 Environmental elements comply with RoHS requirements. This information is subject to change without prior notice and for reference only. It should not be used as a basis for a product guarantee or warranty. For additional information, please consult your nearest Camelion Sales Office or Distributor or visit our website at: [www.camelionbattery.com](http://www.camelionbattery.com).